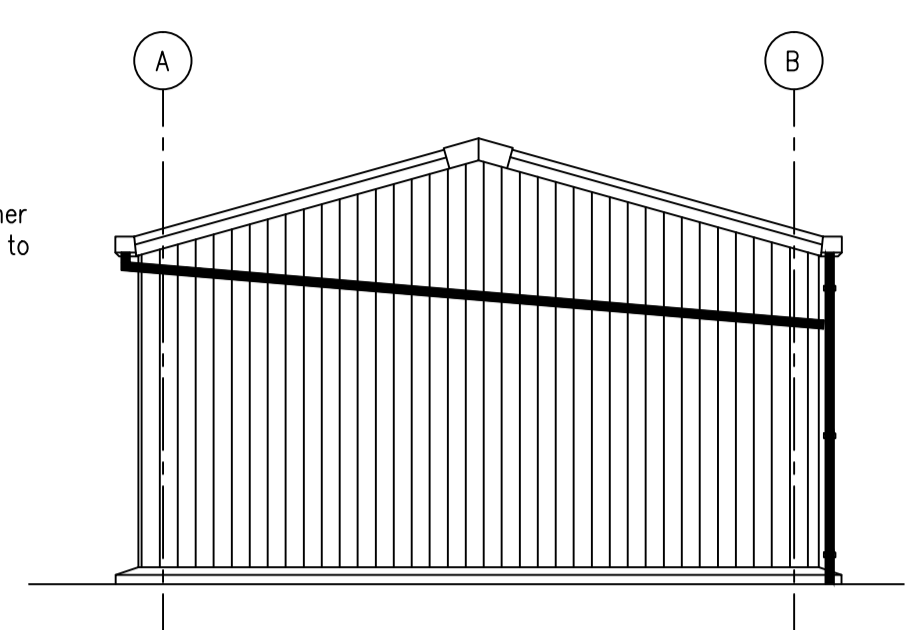


ELEVATION SOUTH



ELEVATION EAST

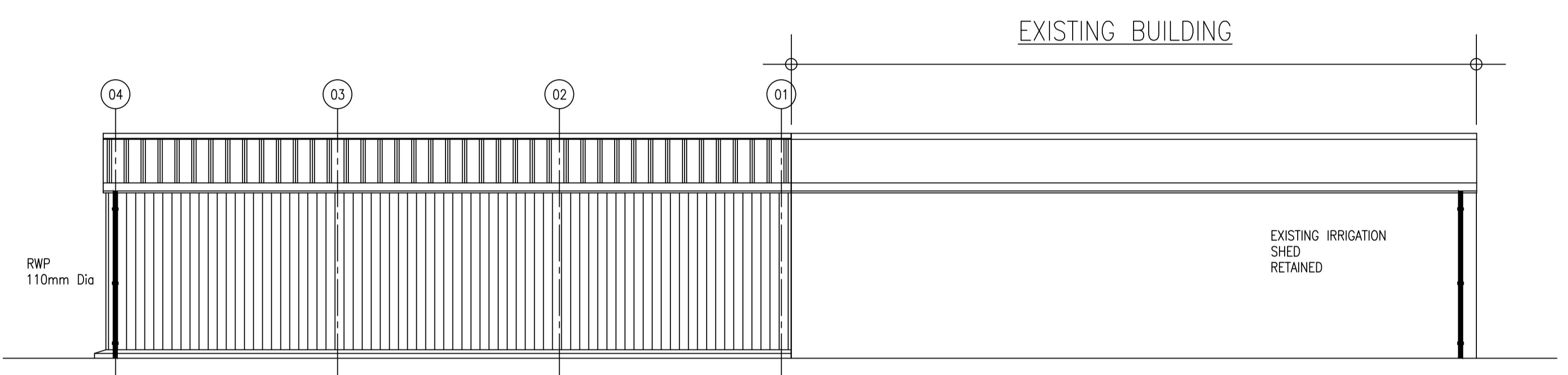
ELEVATION TREATMENT

All roof, wall, gutters and downpipes to match existing irrigation shed finishes

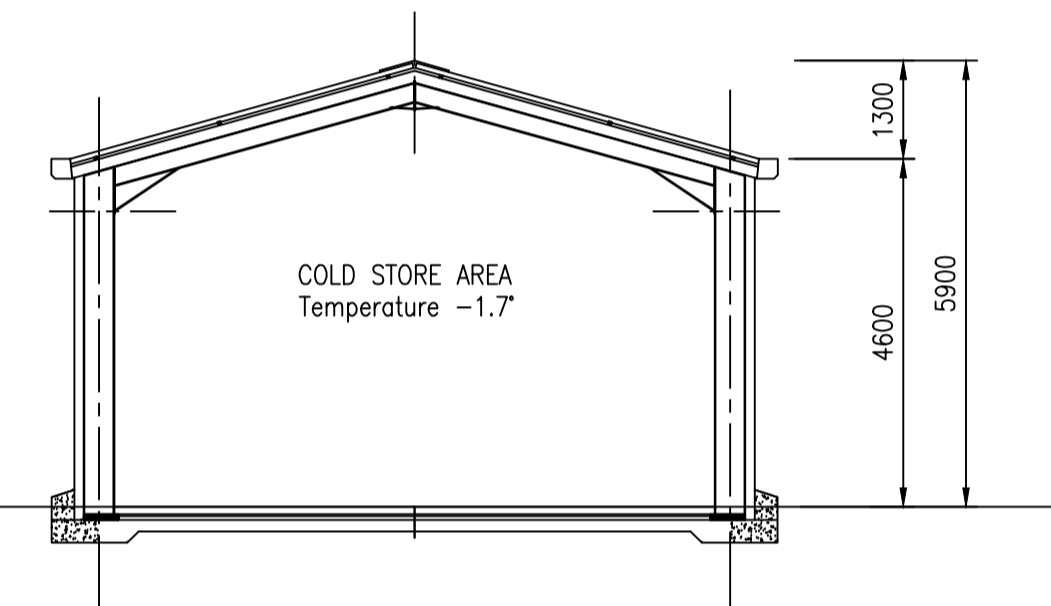
Roof –
 Juniper Green Colour Profile Cladding
 RAL-160-20-10
 BS 12B29

Walls –
 Juniper Green Colour Profile Cladding on
 125mm Thick PIR Insulated Panels
 RAL-160-20-10
 BS 12B29

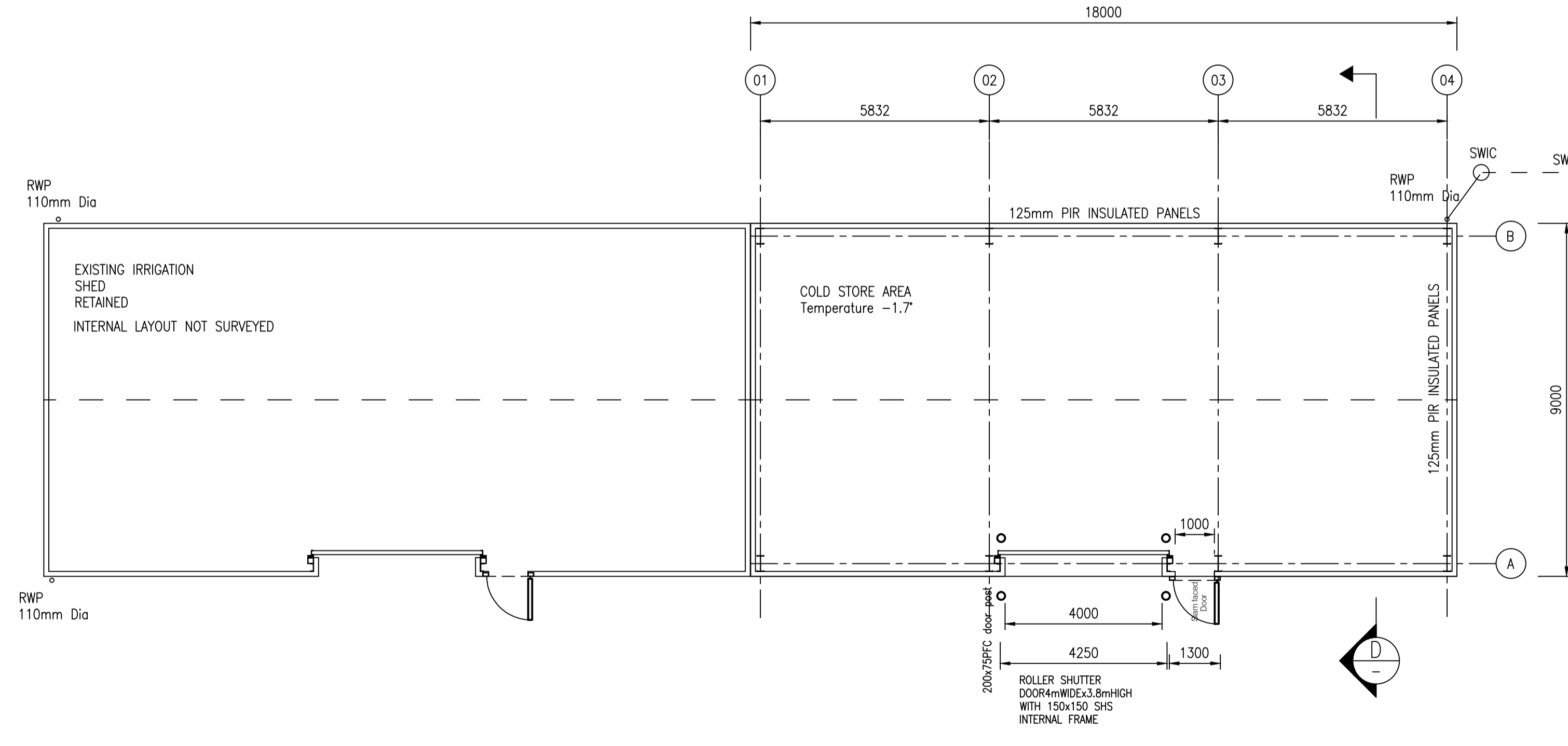
Gutters Juniper Green / Down Pipes –
 Black Colour



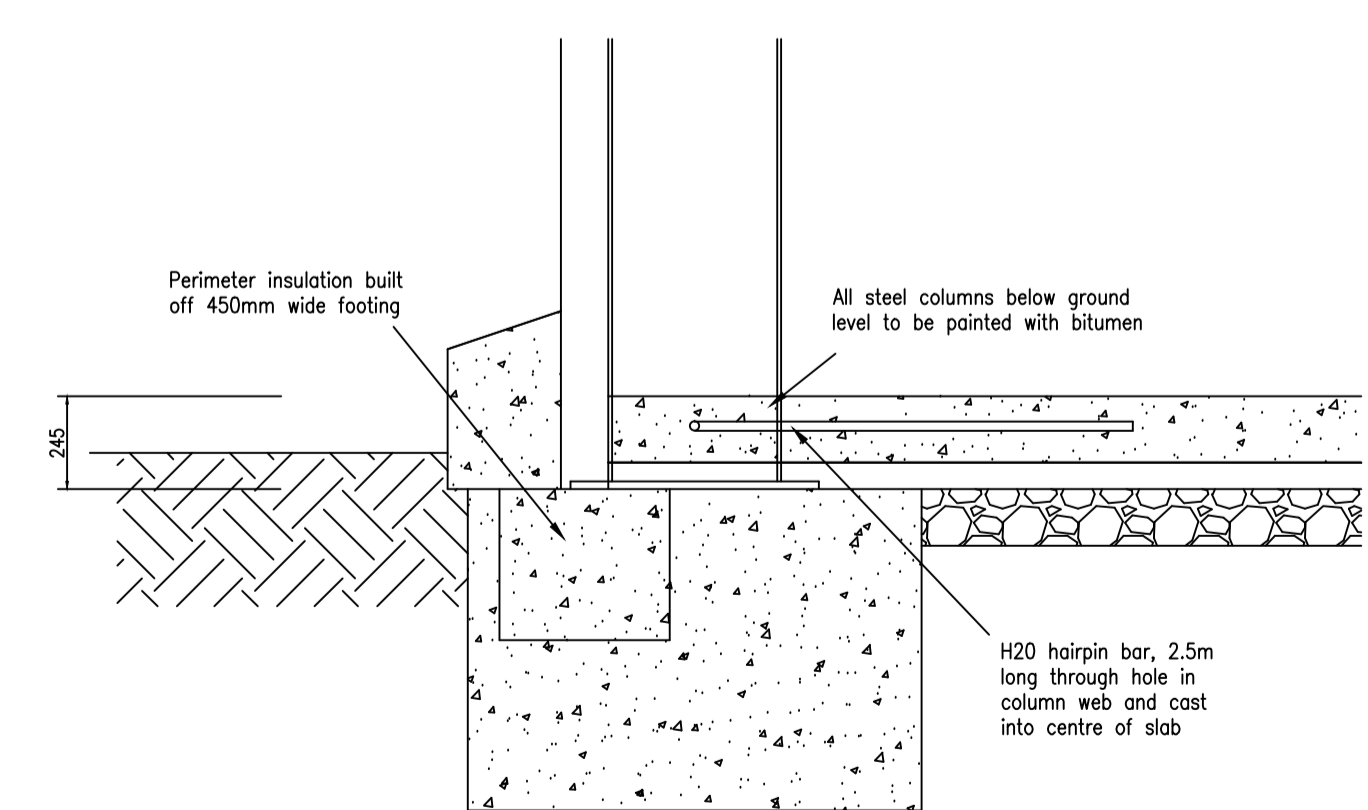
ELEVATION NORTH



SECTION D - D



GROUND FLOOR PLAN - BLOCK B



PERIMETER DETAIL

REV	DATE	ISSUE

CLIENT
E.U. PLANTS

JOB TITLE
**NEW PLANT
 COLD STORES**

DRAWING TITLE
**GENERAL ARRANGEMENT
 Ground Floor Plan (Block B)**

SCALE 1:100, 1:50. DATE 08.12.15

ICA
 INTERNATIONAL CONTROLLED ATMOSPHERE

Lawrence House
 Transfesa Road
 Paddock Wood
 Kent TN12 6UT
 Tel: 01892 831 700
 Fax: 01892 831 701
 www.ICAstorage.com

DRAWING NUMBER **ENQ-1579-08**

FULL PLANNING DETAILS

