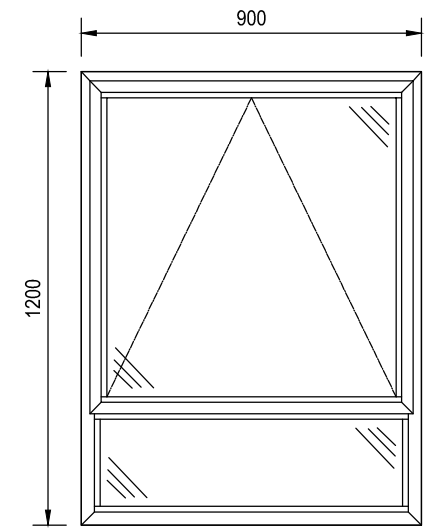
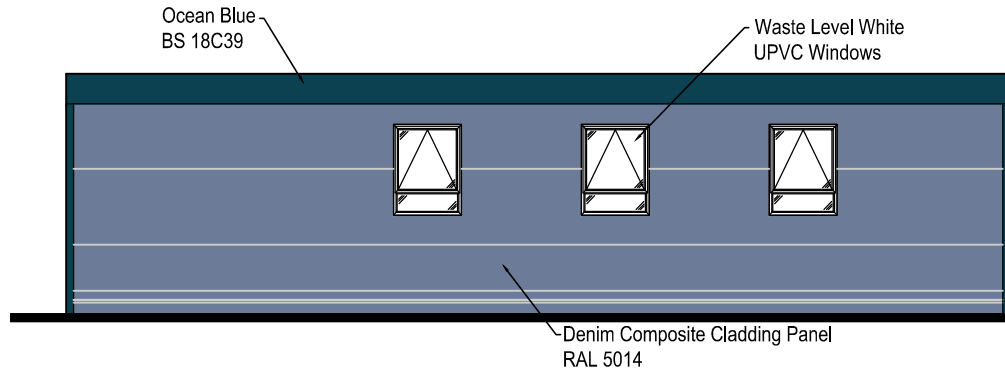
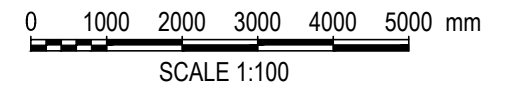


WINDOW LEGEND



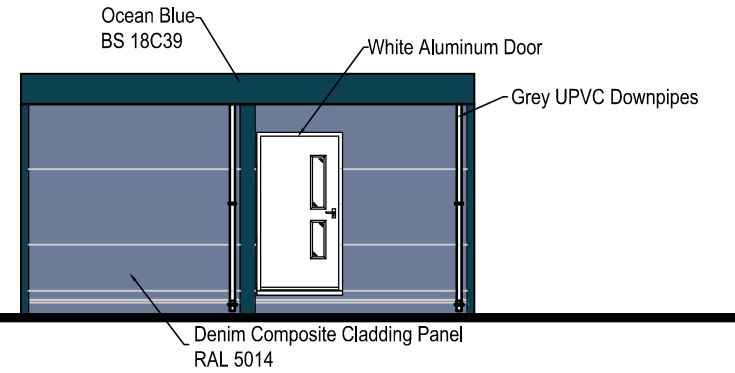
W/L

Double Glazed. 4mm Toughened float: 18mm Argon Filled Cavity: 6.4mm Laminated Low 'E' Soft Coated Inner Glass. Odd Leg UPVC Frames White Trickle Vents To All Windows. Two Stage Locking Catch. 150mm Restrictions To All Openers. Sizes Shown Are Aperture Sizes.



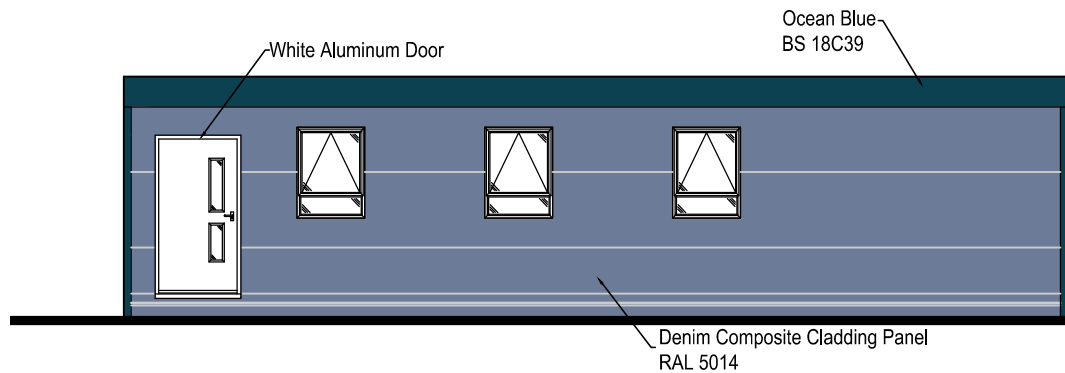
Proposed Side Elevation

Scale 1:100



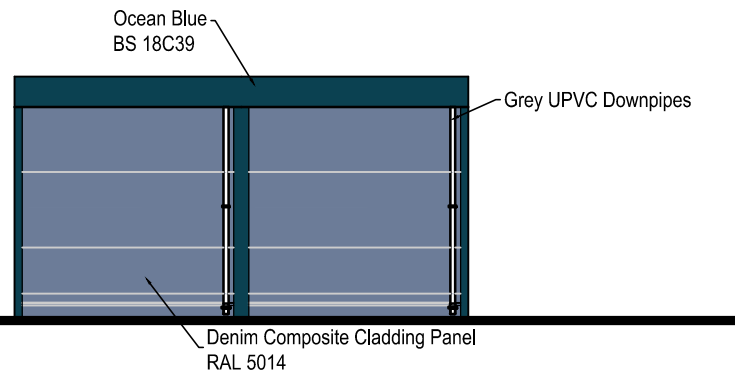
Proposed End Elevation

Scale 1:100



Proposed Side Elevation

Scale 1:100



Proposed End Elevation

Scale 1:100

| | | | | |
|-----|---------------------------------------|------|-----|----------|
| B | Revised To Suit Client Colour Choices | A.M. | - | 04.06.14 |
| A | INITIAL ISSUE | A.M. | - | 13.05.14 |
| REV | AMENDMENT | BY | CHK | DATE |

SALES DRAWING

Drawing Title: **GRAZELEY PRIMARY SCHOOL**
2No 3.0m x 12.0m LINX MODULES
MODULE ELEVATIONS



| | | | | | | |
|-------------|----------|-------------|-------|--------------|-------|-------------|
| Drawn By: | Date: | Checked By: | Date: | Approved By: | Date: | Scale: |
| A.M. | 13.05.14 | - | - | - | - | 1:100 U.N.O |
| Project No: | Drg No: | Drg Type: | Rev: | | | |
| 602548 | 020 | CONTRACT | B | | | |

| CLIENTS APPROVAL | |
|---|--|
| Signed by: | |
| Company: | |
| Position: | |
| Date: | |
| No work will commence on this project until we receive a signed copy of the drawing indicating approval of layout. Any costs or time delays arising from changes after drawing approval will be chargeable to the client. | |

© 2012 Rollalong Ltd. This drawing and the information contained in it is the property of Rollalong Ltd. It may not be used, transmitted or reproduced, in whole or in part, without prior written consent from Rollalong.

Size: **A3**

This page is intentionally left blank